

## INSTALLATION INSTRUCTIONS

DESCRIPTION: Air Box Wash Cap Kit

PART NUMBER BR8-E41E0-V0

MODEL: '18~ YZ65



### ⚠ WARNING

Please read and understand these instructions completely before installation to avoid possible injury, or damage to the accessory or vehicle.

### WARRANTY INFORMATION:

In the United States, see your Yamaha dealer for a copy of the limited warranty statement.

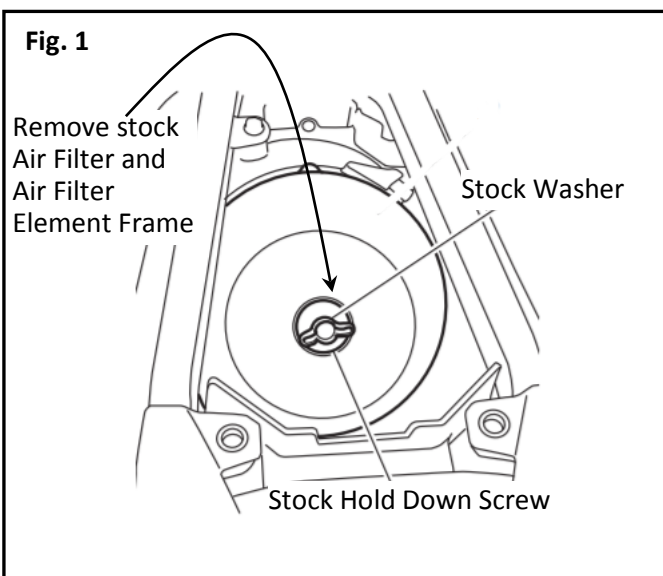
### DEALER OR INSTALLER:

These instructions contain important information for future reference and *must* be given to the customer.

### PARTS LIST:

Item #	Part Number	Description	Qty
--	BR8-E41E0-V0	Air Box Wash Cap	
①	*	Wash Cap	1
②	*	Rubber Washer	1
③	*	Hold Down Screw	1

\* Part supplied with kit only and not available separately.



### PREPARATION:

- Stand the motorcycle on a secure and level surface.
- Clean all mounting surfaces before beginning installation.

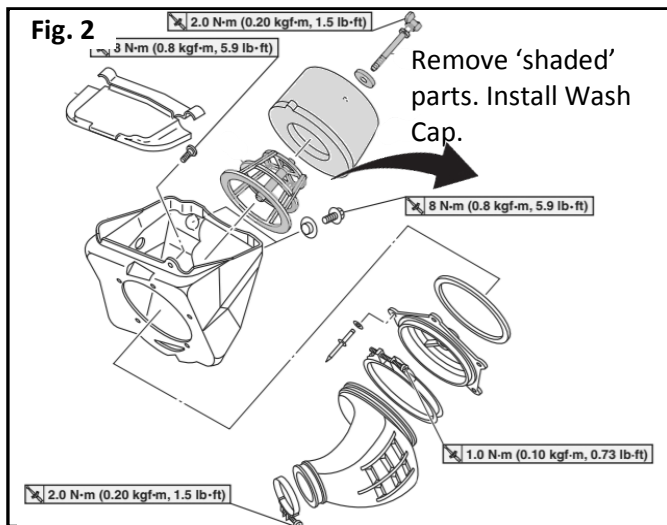
### INSTALLATION:

1. Refer to the Owner's Service Manual for procedures and images showing how to remove the seat.

### NOTICE:

**Never operate the engine with the air box wash cap installed.**

2. Remove Air Filter and Air Filter Frame. See Fig. 1. Retain all parts for reuse.



3. Clean Air Box surface where it will mate to the Wash Cap.
4. Use the included ③ Hold Down Screw and ② Washer to secure the ① Wash Cap to the Air Box
5. Install wash cap. Note the position of the wash cap in Fig. 3.
6. After washing and before removing, wipe the wash cap with a clean dry towel.
7. Reinstall the air filter frame with a clean air filter and the stock hold down screw with stock washer. Align the 'arrow' on the filter with the 'arrow on the Air box. See Fig. 1 and 2.

**MAINTENANCE:**

Be sure to clean the Air Filter Holder before installing onto the air box to keep debris from entering into the engine.

**CARE AND CLEANING**

Wash using Yamaclean Pro-Wash Spray cleaner (p/ n # ACC-YAMAC-PW-SP) or another cleaner of equivalent quality designed specifically for this application.

**CUSTOMER SERVICE:**

For further information see your Yamaha dealer.

**ESTIMATED TIME TO INSTALL: 0.1 HRS**

